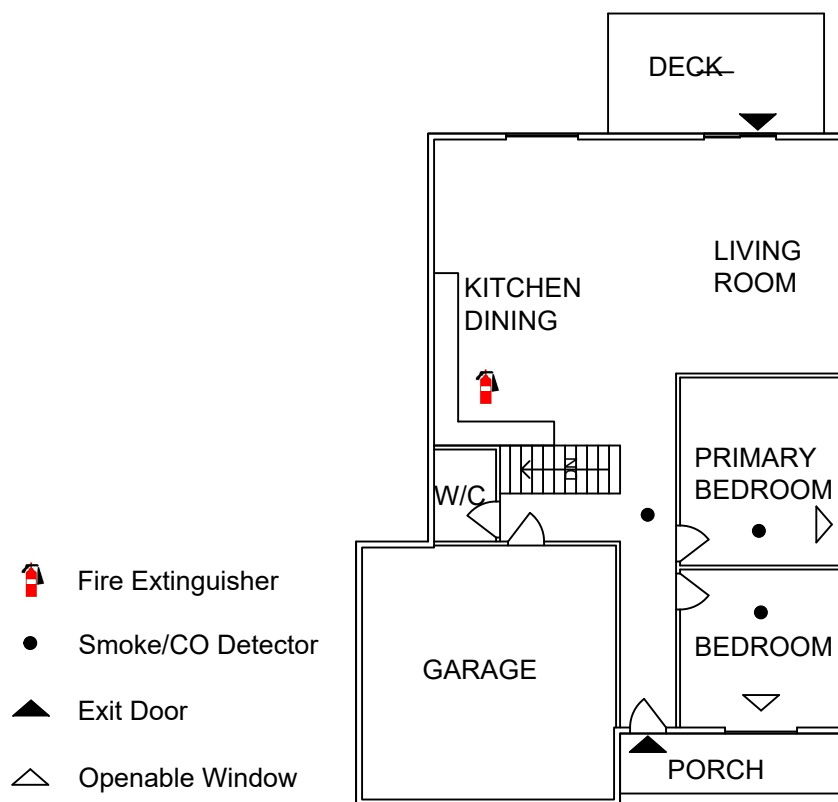
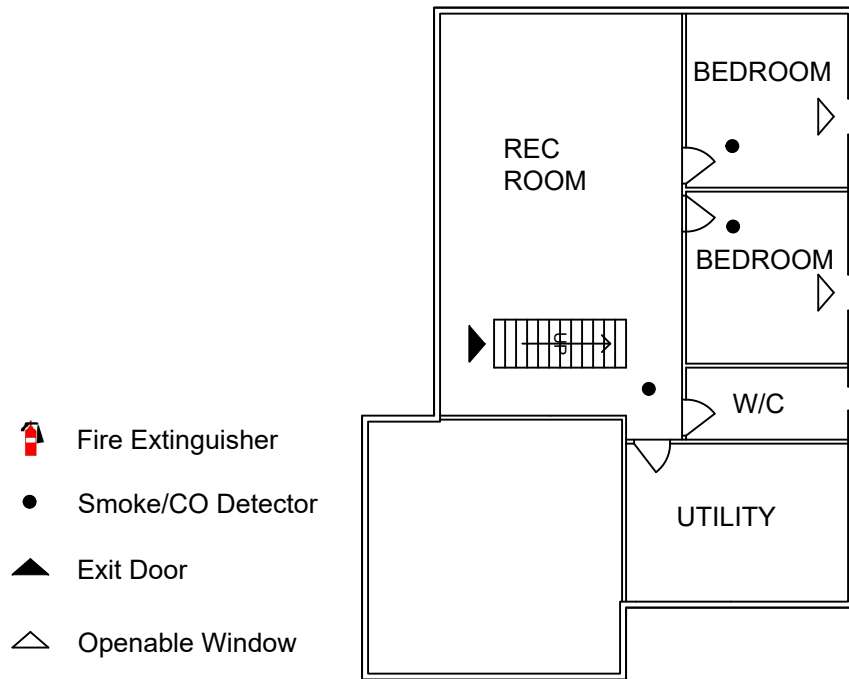


# 321 EXAMPLE LANE



## FIRE SAFETY PLAN: MAIN FLOOR

# 321 EXAMPLE LANE



## FIRE SAFETY PLAN: BASEMENT